

Airflow Meters

Stationary and Panel Mounted

Description

덕트 차압, 풍속, 풍량 지시계로서 Pitot Flow Sensor에서 측정된 값을 차압/풍속, 풍속/풍량 값으로 각각 지시합니다. 각 지시계는 벽면 혹은 판넬에 설치 될 수 있습니다. 지시창은 Single이나 Dual (풍속/차압, 풍량/풍속)을 동시에 지시 할 수 있으며, 측정범위 및 단위는 고객의 주문 사양에 따라 공급 가능합니다.



Performance Specifications

Accuracy.

Rated at 70°F, $\pm 2.0\%$ for 1.0" to 60." w.c. range;
 $\pm 3.0\%$ for 0.50" w.c. range; $\pm 4.0\%$ for 0.25" w.c. range.

Temperature Limits.

20°F to 140°F Operating.

Over pressurization Limit.

-20" Hg to 15 psig on either side of diaphragm.

Range.

0-0.25" to 0-10" W.C. D/P

0-10m/s to 0-28m/s Velocity

Construction Features

Stationary Meter (FM100S)

Type. Stationary.

Gauge. Diaphragm activated, differential pressure.

Enclosure. Anodized aluminum, NEMA 1.

Signal Fittings. Standard barbed fittings for 1/4" O.D. tubing. Other fittings available.

Display. Custom, dual scaled display of process.

Panel Meter (FM100)

Type. Panel mounted.

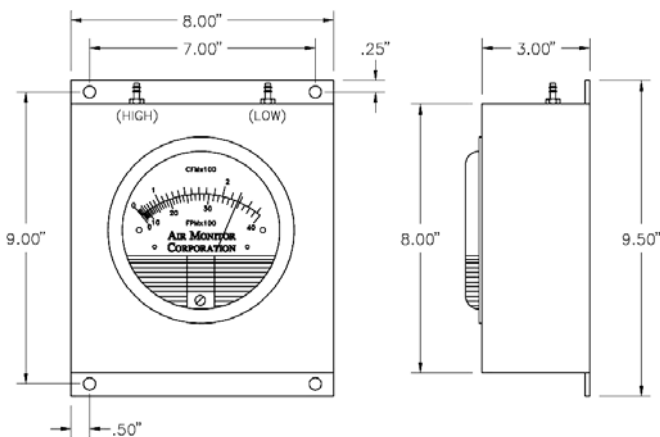
Gauge. Diaphragm activated, D/P, Velocity, Flow.

Housing. Die cast aluminum case and bezel with acrylic cover.

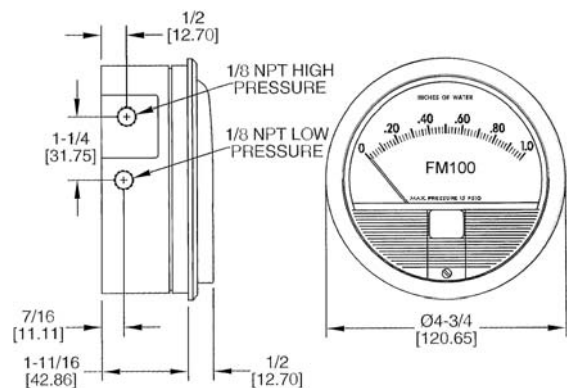
Signal Fittings. Standard 1/8" NPT for High and Low pressure.

Display. Custom, single or dual scaled display of process.

Dimensional Specifications



Stationary Meter



Panel Meter